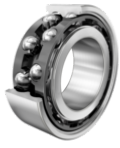


FAG

## 3311-BD-XL-TVH-C3

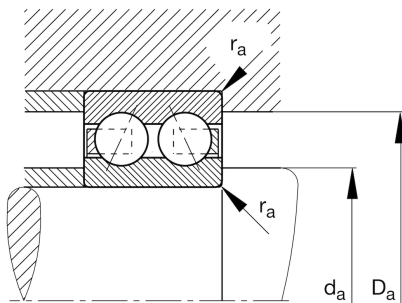
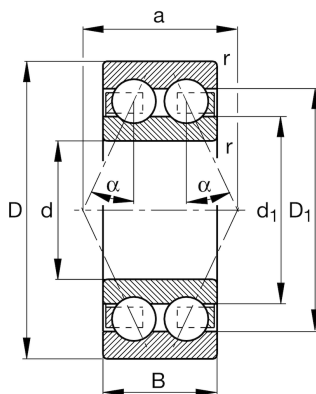
Angular contact ball bearing

Schaeffler ID:  
0616489300030

Angular contact ball bearing 33..-BD-XL-TVH, double row, X-life, plastic cage

X-life

## Technical information



## Main Dimensions &amp; Performance Data

d	55 mm	Bore diameter
D	120 mm	Outside diameter
B	49.2 mm	Width
$C_r$	116,000 N	Basic dynamic load rating, radial
$C_{0r}$	88,000 N	Basic static load rating, radial
$C_{ur}$	6,100 N	Fatigue load limit, radial
$n_G$	5,800 1/min	Limiting speed
$n_{gr}$	5,900 1/min	Reference speed
	2.27 kg	Weight

## Mounting dimensions

$d_{a \min}$	66 mm	Minimum diameter shaft shoulder
$D_{a \max}$	109 mm	Maximum diameter of housing shoulder
$r_{a \max}$	2 mm	Maximum fillet radius

## Dimensions

$r_{\min}$	2 mm	Minimum chamfer dimension
$D_1$	103.3 mm	Shoulder diameter outer ring
$d_1$	78.8 mm	Shoulder diameter inner ring
a	71.4 mm	Distance between the apexes of the pressure cones
$\alpha$	30 °	Contact angle

## Temperature range

$T_{\min}$	-30 °C	Operating temperature min.
$T_{\max}$	120 °C	Operating temperature max.